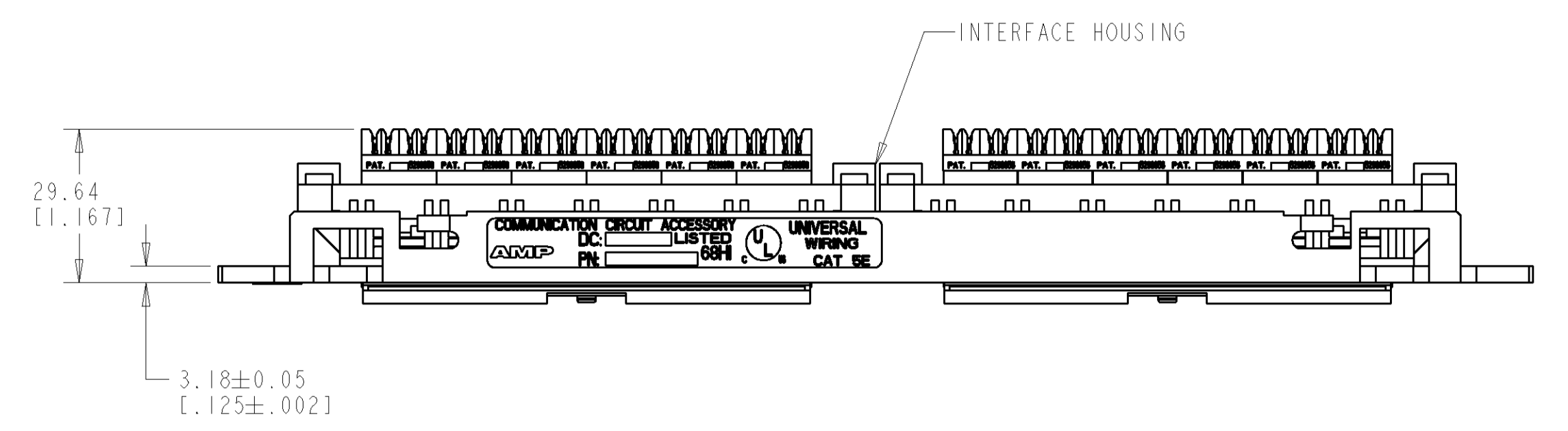
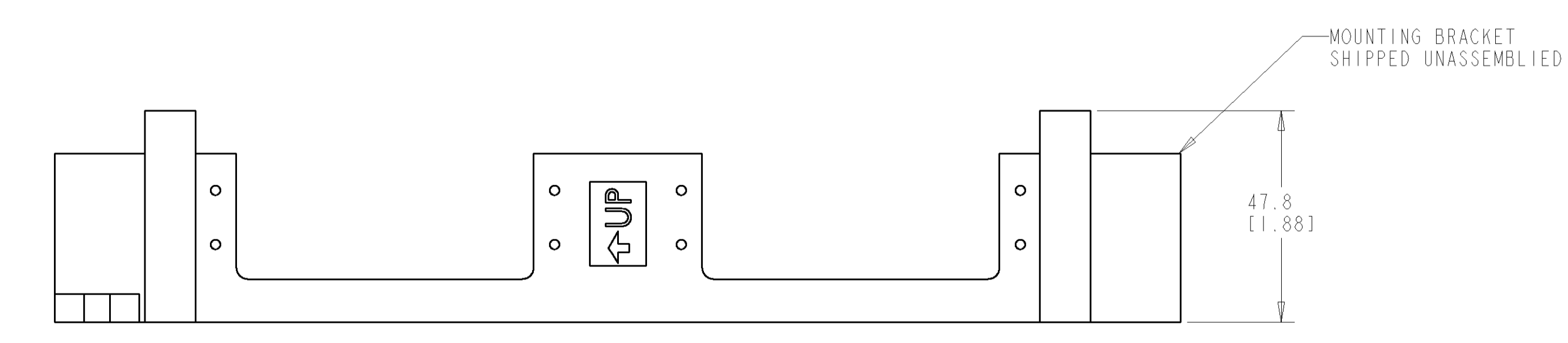
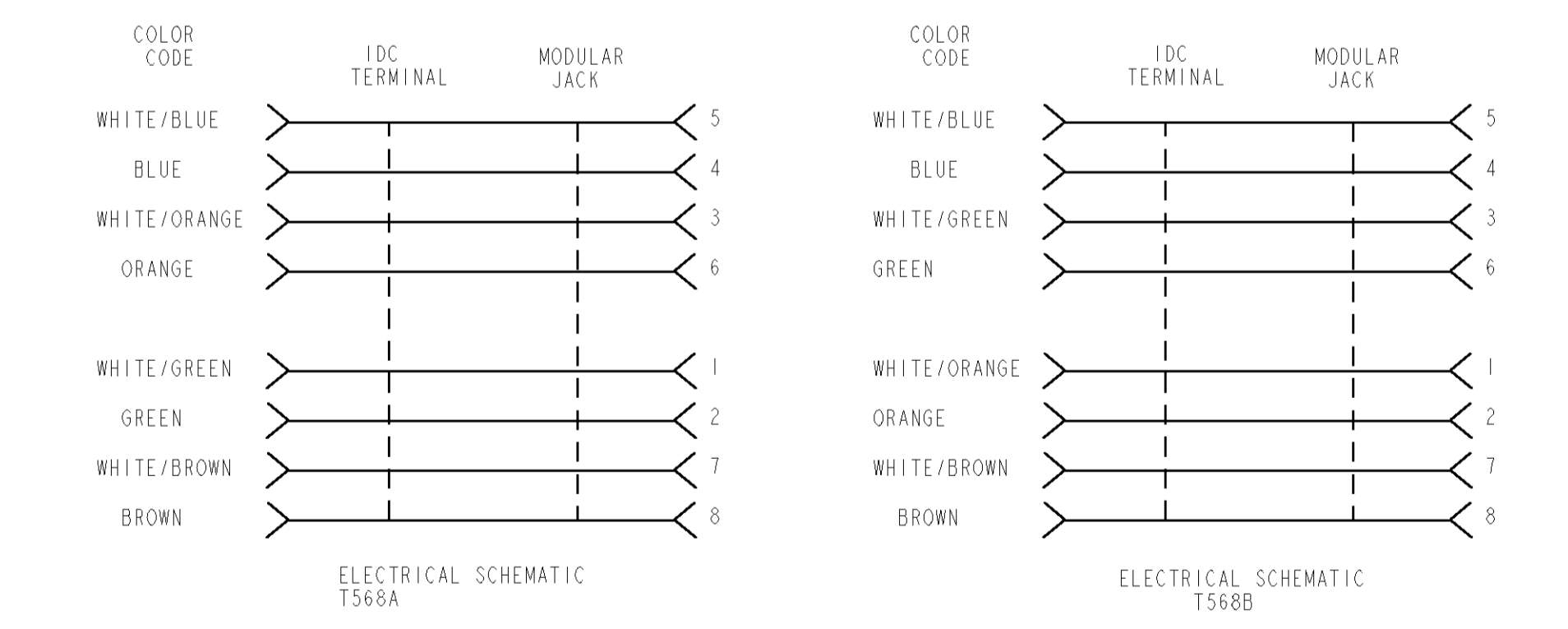
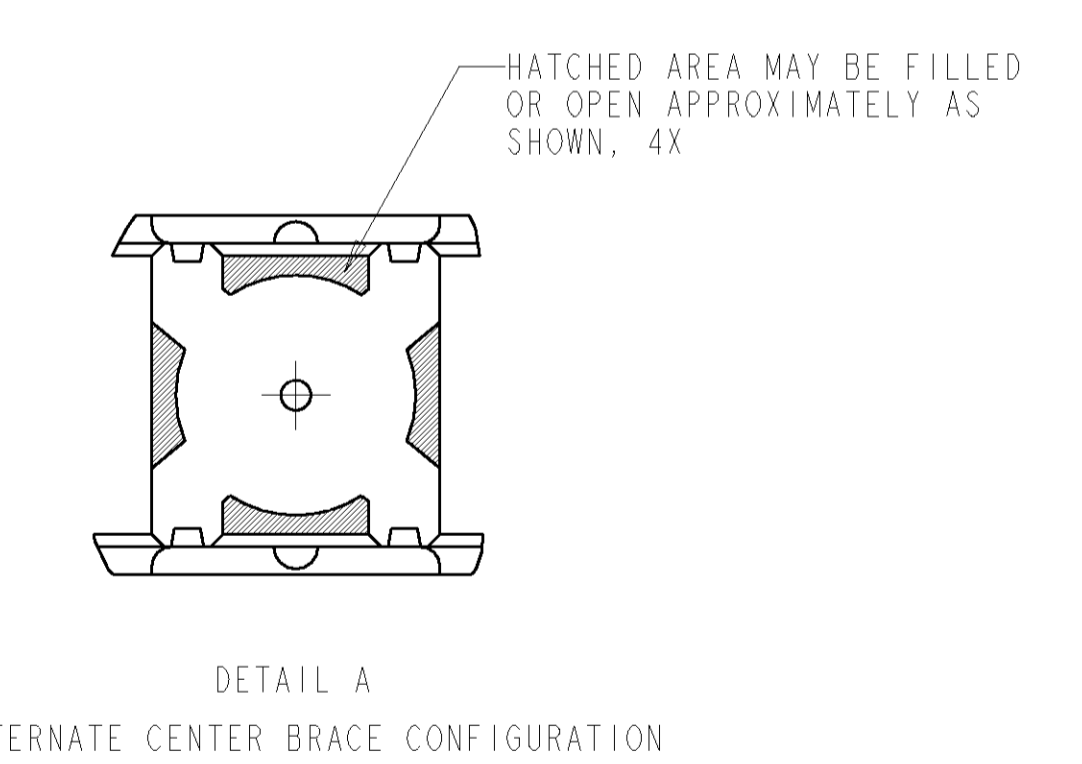
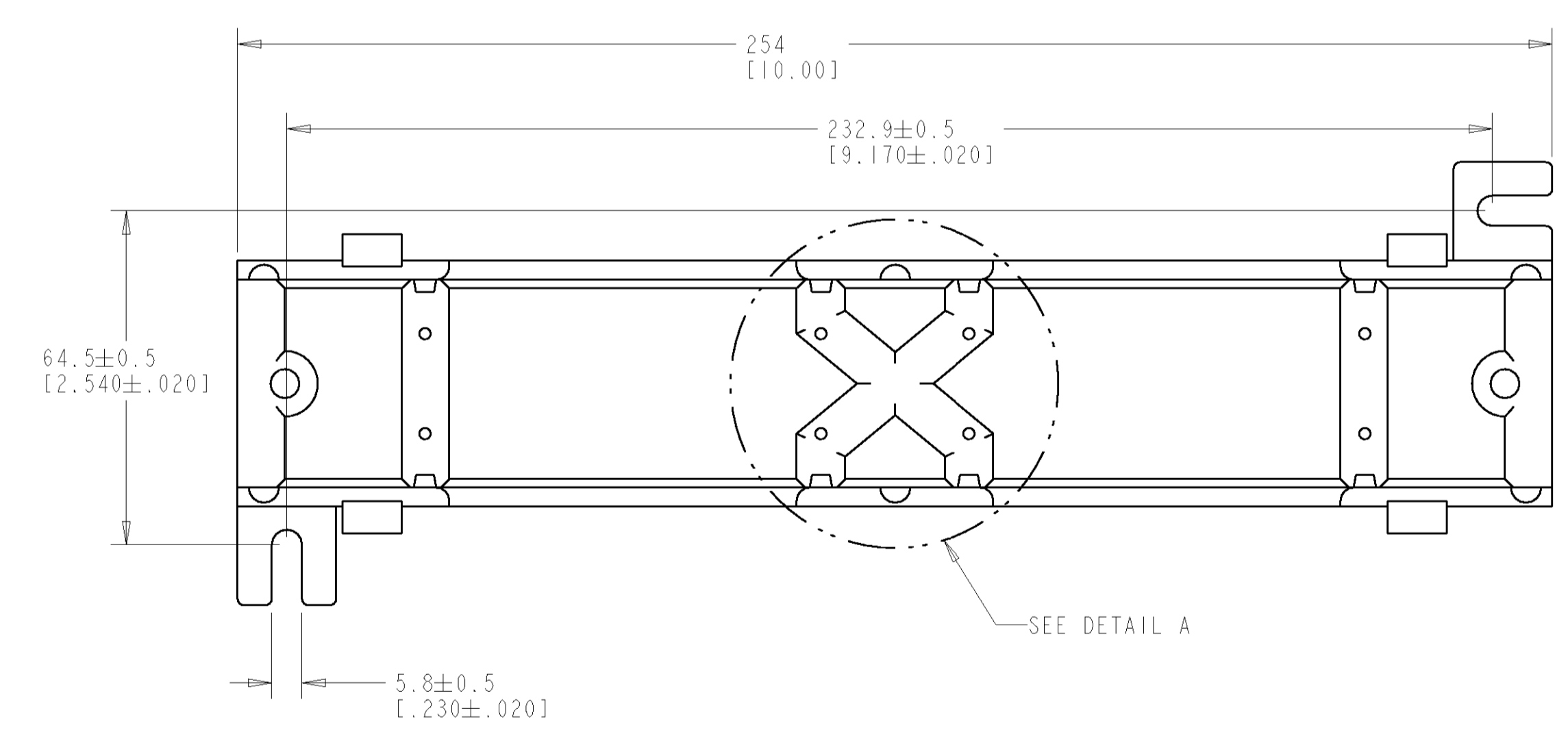
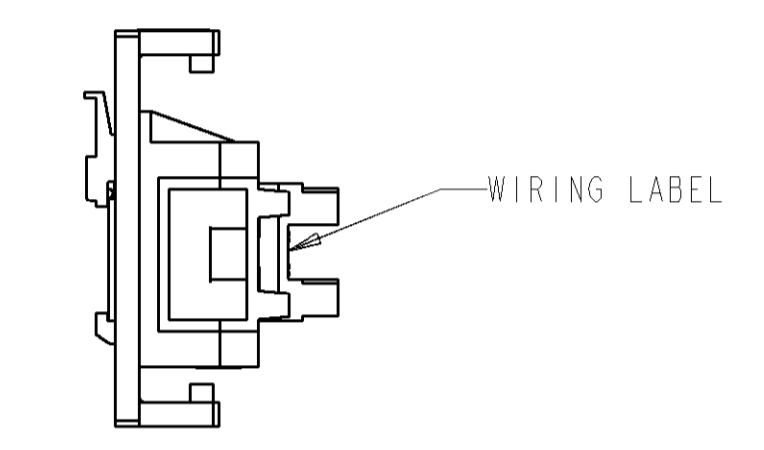
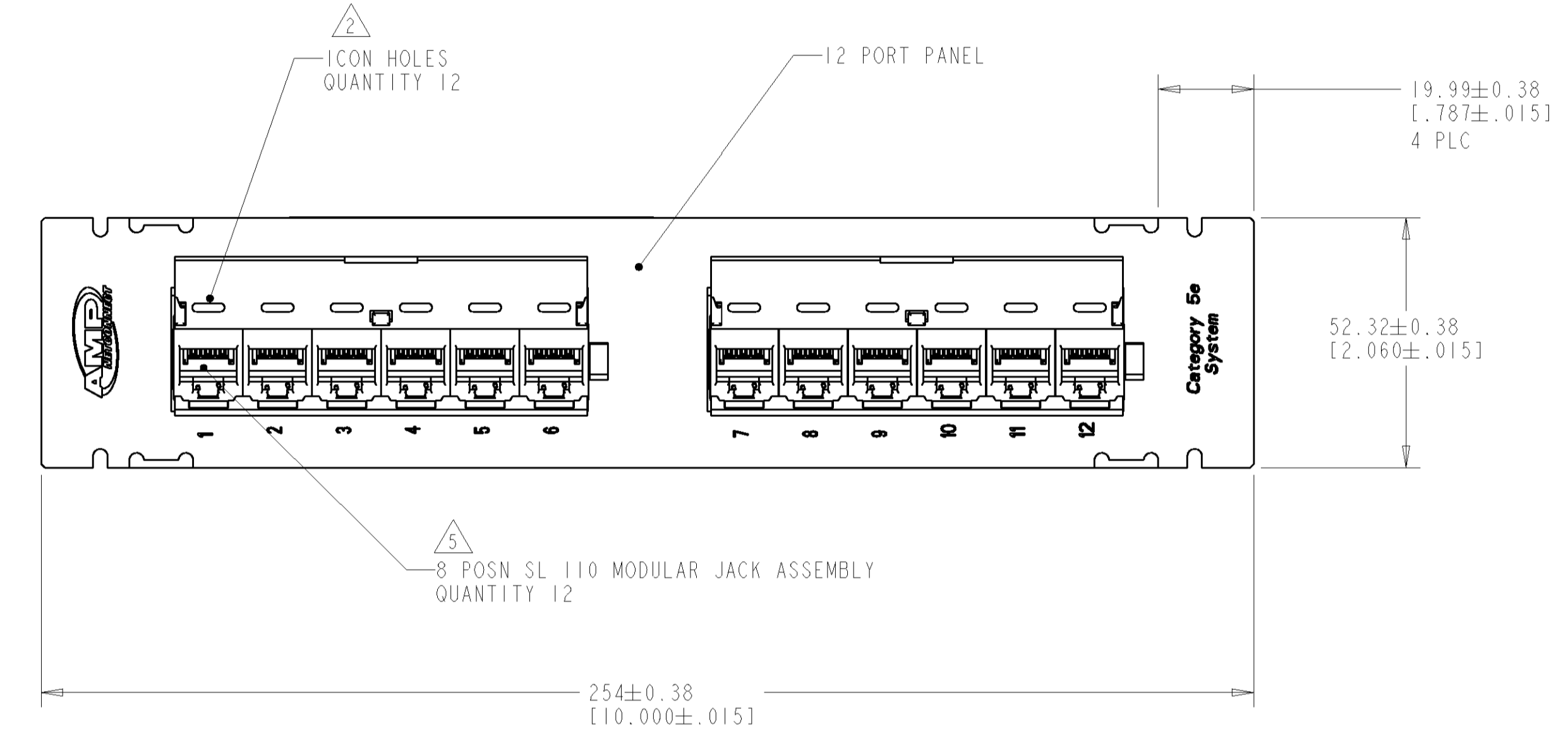


LOC	DIST	REVISIONS			
P	LTR	DESCRIPTION	DATE	DWN	APVD
D		ECO-06-025594	30JAN2007	JM	SH



- △ MATERIAL:  
 CONNECTOR HOUSING, INTERFACE: POLYESTER MOLDING COMPOUND, BLACK.  
 MOUNTING BRACKET: POLYCARBONATE, WHITE.  
 PANEL: BLACK POWDER COAT ALUMINUM WITH WHITE MARKINGS.
- △ ICONS MAY BE PURCHASED SEPARATELY.
- 3. TWO WIRE TIES AND ONE MOUNTING BRACKET FOR INSTALLATION OF 12 PORT PANEL ASSEMBLY ARE SHIPPED LOOSE. WIRE TIES NOT SHOWN ON DRAWING.
- 4. ONE SHEET OF BEZEL LABELS AND ONE SHEET OF CLEAR COVERS SHIPPED LOOSE. BEZEL LABELS AND COVERS NOT SHOWN ON DRAWING.
- △ JACKS SHOWN AS LOADED BUT SHIPPED LOOSE IN POLYBAG.



1479153-2  
 PART NO

DIMENSIONS: MM [INCHES]		TOLERANCES UNLESS OTHERWISE SPECIFIED: 0 PLC ± 1 PLC ± 2 PLC ± 3 PLC ± 4 PLC ± ANGLES ±		FINISH: △		DWN: L. SMITH 30NOV2001 ENR: S. HERNDON 03DEC2001 APVD: S. HERNDON 03DEC2001		NAME: BRACKET, MOUNTING		tyco Tyco Electronics Harrisburg, PA 17105-3608	
MATERIAL: △		WEIGHT: -		SIZE: A1		CAGE CODE: 00779		DRAWING NO: 1479153		RESTRICTED TO: -	
CUSTOMER DRAWING				SCALE: 1:1		SHEET: 1 OF 1		REV: D		1479153-2 PART NO	